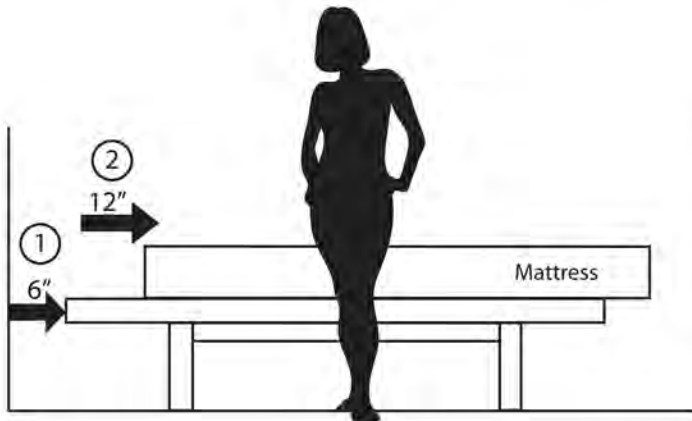


# How to Mount Your Bedworks Inclined Panel Headboard

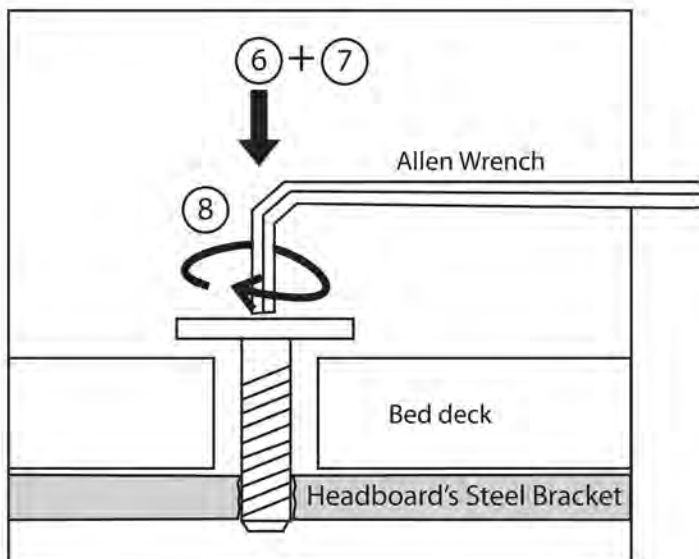
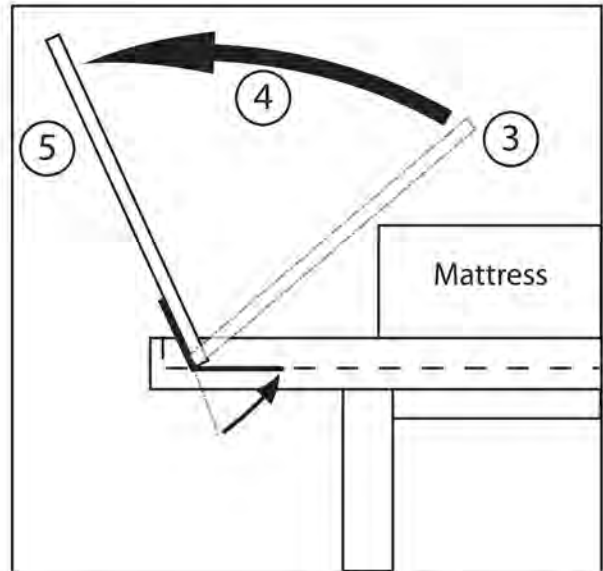


- ① Everything is easier with a friend! Ask a friend to help you on the other side of the bed.

Stand in the middle on opposite sides of the bed. With your friend's help, lift and move the bed 6 inches away from the wall. Lift it, DON'T SLIDE IT.

- ② Next, to access the two headboard notches and four bolt holes, slide your mattress 12" down towards the foot of the bed.

- ③ Lay the headboard face down across the bed so that the side with the brackets points towards the wall.
- ④ Position the headboard so that the two bracket ends fit through the two 1 3/4" wide notches in the deck's headboard end.
- ⑤ Lean the headboard back towards the wall so that the two brackets now flush up against the under side of the deck.



- ⑥ Insert one bolt through the 1/2" hole in the deck into the tapped 1/4" hole in the steel bracket underneath. With the Allen wrench, twist the bolt until it engages the threads. Do not tighten it.
- ⑦ Insert the other three bolts and start them into the tapped bracket holes underneath too.
- ⑧ After all four of the bolts are engaged, fully tighten each one.
- ⑨ Take a bow! You have professionally mounted your Bedworks Inclined Headboard!

©Bedworks 7/10/2019